

# FIRE PUMP SYSTEMS

## DIESEL ELECTRIC FIRE PUMP

### FEATURES

The All Purpose Pumps Diesel Electric fire booster pump set compliant with AS2941. This package is most commonly used in buildings over 25m high where the power supply is not adequate to service the size of pumps / motors required. Built and assembled on a common heavy duty steel skid base.

#### PUMP:

- › End suction centrifugal pump
- › Cast iron / bronze / stainless construction
- › Back pull-out construction
- › Mechanical seal

- › Valves and pipework
- › Accumulator tank

#### PUMP INLET AND OUTLET PIPEWORK:

- › Galvanised steel with roll grooved connections
- › Pump inlet FM/UL approved OS&Y rising spindle isolation sluice valves
- › Pump inlet and outlet non-return valve and gear box operated isolation valves with valve monitors
- › Annubar flow test point outlet with gear box operated isolation valves
- › Hydraulically operated circulation and pressure relief valve

#### DIESEL ENGINE:

- › Anti-vibration engine mounts
- › Heat exchanger cooled
- › Exhaust outlet complete with condensate trap and muffler
- › 6 hour storage capacity fuel tank

#### ELECTRIC MOTOR

- › TEFC IEC cast iron frame electric motor

#### JOCKEY PUMP:

- › In-line vertical multistage pump for optimum efficiently, quiet operation and Maintenance In Place capabilities

#### CONTROLS:

- › Manufactured in accordance with the relevant standards: AS2941



**25 YEARS INDUSTRY EXPERIENCE**

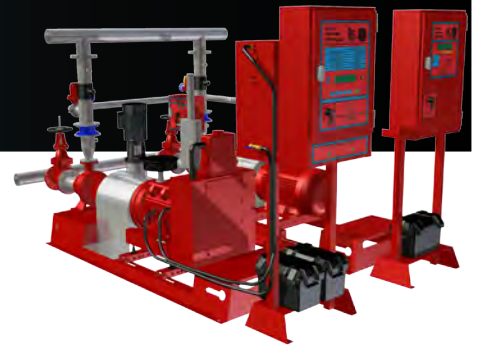
### RANGE

	5 l/s	10 l/s	15 l/s	20 l/s	30 l/s	Pipework Annubar
	100mm	100mm	100mm	100mm	150mm	
	50mm	50mm	65mm	80mm	80mm	
500 kPa	815153	815163	815173	815183	815193	
600 kPa	815154	815164	815174	815184	815194	
700 kPa	815155	815165	815175	815185	815195	
800 kPa	815156	815166	815176	815186	815196	
900 kPa	815157	815167	815177	815187	815197	
1000 kPa	815158	815168	815178	815188	815198	
1100 kPa	815159	815169	815179	815189	815199	
1200 kPa	815160	815170	815180	815190	815200	
1300 kPa	815161	815171	815181	815191	815201	
1400 kPa	815162	815172	815182	815192	815202	

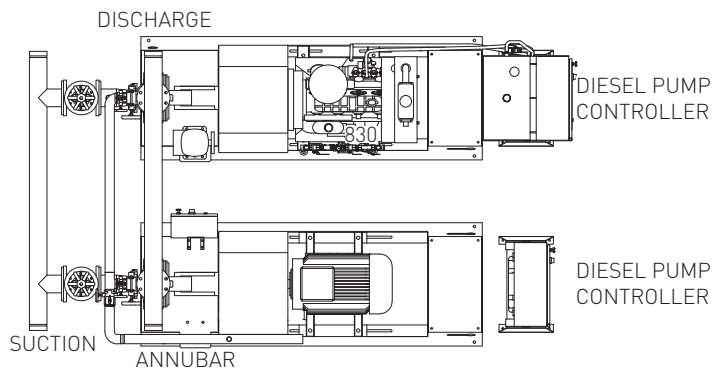
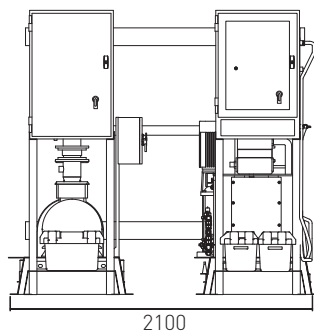
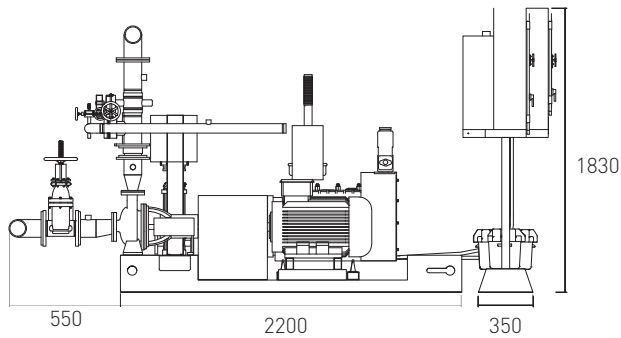
#### NOTE

1. Systems can be customised to suit any application
2. Single Fire Pump cannot be used on applications that are utilising tank water





## DIMENSIONS



NOTE  
1. All dimensions are in mm and are approximate

## ADDITIONAL OPTIONS

PRODUCT	DESCRIPTION
	ANTI-TAMPER / WEATHER ENCLOSURE Ideal when pumps are to be housed externally to the building
	FLOW BYPASS VALVES & PIPEWORK Booster flow pump bypass incorporated into the system
	PRESSURE RELIEF VALVE To protect from over-pressurisation
	VARIABLE SPEED CONTROL To protect from over-pressurisation
	TEST WATER STORAGE TANKS For collection of test water for reclaim
	SIGHT INFLOW INDICATOR For pressure relieve valves when waste is not visible
	ENGINE HEATER Assisting cold starting for added cold start reliability
	INLET VALVE MONITOR For sprinkler systems or where specified
	DUAL PRESSURE SWITCH ASSEMBLY For sprinkler systems or where specified

