



HYLIFT® UNDERSINK SULLAGE PUMPS DISHWASHER & WATER SUPPLY INTERLOCK

FEATURES

This All Purpose Pumps unit combines both Dishwasher Interlock and Water Supply Interlock safety options into one unit.

- > Ideal for all Domestic or Commercial application
- > Available for standard 10 amp or large 15 amp dishwashers
- > Available with multiple inputs for 2 x Dishwashers / Appliances
- > Available with 2 x solenoids
- > Maximum operating temperature - 80 °C
- > Maximum operating pressure 1200 kPa
- > Voltage free common alarm output for BMS connection



30 YEARS INDUSTRY EXPERIENCE

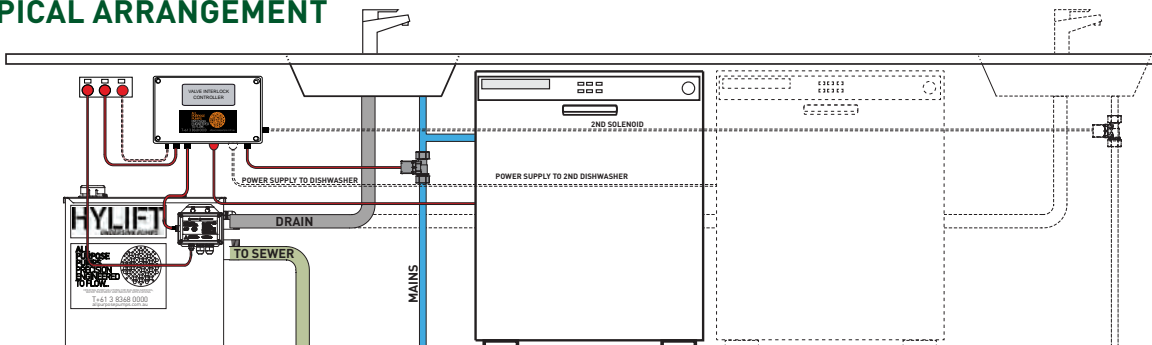
RANGE

| MODEL | PRODUCT CODE | DESCRIPTION | POWER SUPPLY | SOLENOID PORTS |
|----------------|--------------|--|--------------------|----------------|
| HYLIFT-D+SI | 865023 | Combined Dishwasher and Solenoid Valve Interlock Device | 10A GPO (240v) | 20mm BSP M |
| HYLIFT-D+2SI | 865028 | Combined Dishwasher and Solenoid Valve Interlock Device with 2 x Solenoids | 10A GPO (240v) | 20mm BSP M |
| HYLIFT-2D+SI | 865027 | Combined Dishwasher and Solenoid Valve Interlock Device for 2 x 10A Dishwashers | 2 x 10A GPO (240v) | 20mm BSP M |
| HYLIFT-2D+2SI | 865029 | Combined Dishwasher and Solenoid Interlock Device for 2 x Dishwashers with 2 x Solenoids | 2 x 10A GPO (240v) | 20mm BSP M |
| HYLIFT-15AD+SI | 865032 | Combined Dishwasher and Solenoid Valve Interlock Device to suit 15A Dishwasher. | 15A GPO (240v) | 20mm BSP M |

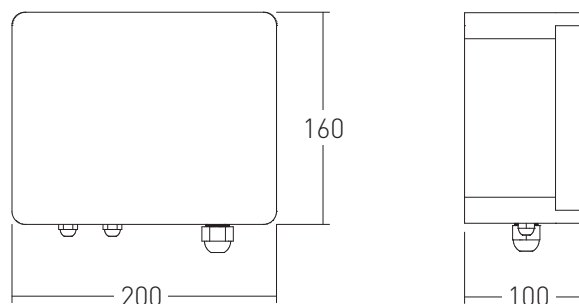
NOTE

1. All interlock devices must be connected to a High Level Alarm Device

TYPICAL ARRANGEMENT



DIMENSIONS



NOTE

1. All dimensions are in mm and are approximate

