

HYLIFT® UNDERSINK SULLAGE PUMPS DISHWASHER & WATER SUPPLY INTERLOCK



FEATURES

This All Purpose Pumps unit combines both Dishwasher Interlock and Water Supply Interlock safety options into one unit.

- > Ideal for all Domestic or Commercial application
- > Available for standard 10 amp or large 15 amp dishwashers
- > Available with multiple inputs for 2 x Dishwashers / Appliances
- > Available with 2 x solenoids
- > Maximum operating temperature - 80 °C
- > Maximum operating pressure 1200 kPa
- > Voltage free common alarm output for BMS connection



25 YEARS INDUSTRY EXPERIENCE

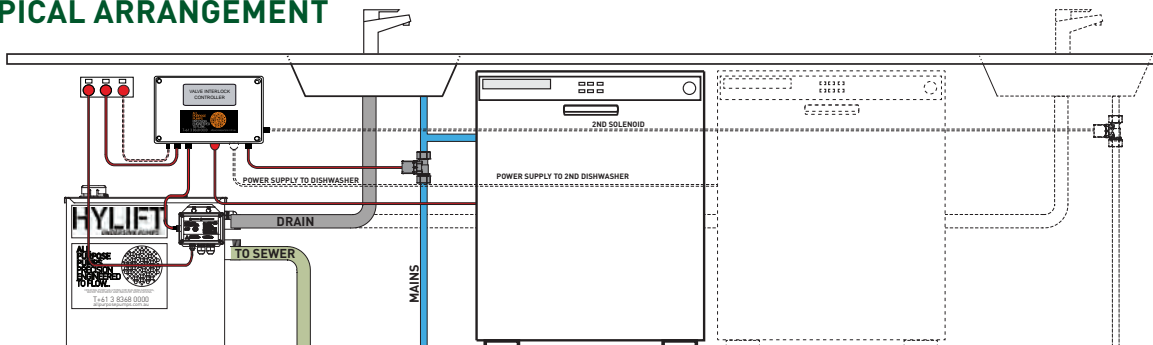
RANGE

MODEL	PRODUCT CODE	DESCRIPTION	POWER SUPPLY	SOLENOID PORTS
HYLIFT-D+SI	865023	Combined Dishwasher and Solenoid Valve Interlock Device	10A GPO (240v)	20mm BSP M
HYLIFT-D+2SI	865028	Combined Dishwasher and Solenoid Valve Interlock Device with 2 x Solenoids	10A GPO (240v)	20mm BSP M
HYLIFT-2D+SI	865027	Combined Dishwasher and Solenoid Valve Interlock Device for 2 x 10A Dishwashers	2 x 10A GPO (240v)	20mm BSP M
HYLIFT-2D+2SI	865029	Combined Dishwasher and Solenoid Interlock Device for 2 x Dishwashers with 2 x Solenoids	2 x 10A GPO (240v)	20mm BSP M
HYLIFT-15AD+SI	865032	Combined Dishwasher and Solenoid Valve Interlock Device to suit 15A Dishwasher.	15A GPO (240v)	20mm BSP M

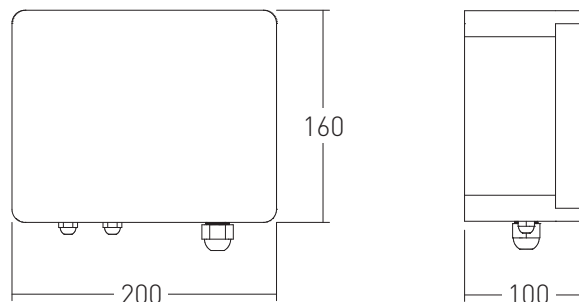
NOTE

1. All interlock devices must be connected to a High Level Alarm Device

TYPICAL ARRANGEMENT



DIMENSIONS



NOTE

1. All dimensions are in mm and are approximate

