

# FIRE PUMP SYSTEMS

## DUAL DIESEL FIRE PUMP

### FEATURES

The All Purpose Pumps Dual Diesel fire booster pump set compliant with AS2941. This package is most commonly used in buildings over 25m high where the power supply is not adequate to service the size of pumps / motors required. Built and assembled on a common heavy duty steel skid base.

#### PUMP:

- > End suction centrifugal pump
- > Cast iron / bronze / stainless construction
- > Back pull-out construction
- > Mechanical seal

#### DIESEL ENGINE:

- > Anti-vibration engine mounts
- > Heat exchanger cooled
- > Exhaust outlet complete with condensate trap and muffler
- > 6 hour storage capacity fuel tank

#### JOCKEY PUMP:

- > In-line vertical multistage pump for optimum efficiently, quiet operation and Maintenance In Place capabilities
- > Valves and pipework
- > Accumulator tank

#### PUMP INLET AND OUTLET PIPEWORK:

- > Galvanised steel with roll grooved connections
- > Pump inlet FM/UL approved OS&Y rising spindle isolation sluice valves.
- > Pump inlet and outlet non-return valve and gear box operated isolation valves with valve monitors
- > Annubar flow test point outlet with gear box operated isolation valves
- > Hydraulically operated circulation and pressure relief valve

#### CONTROLS:

- > Manufactured in accordance with the relevant standards: AS2941



**25 YEARS INDUSTRY EXPERIENCE**

RANGE	5 l/s	10 l/s	15 l/s	20 l/s	30 l/s	Pipework Annubar
	100mm	100mm	100mm	100mm	150mm	
	50mm	50mm	65mm	80mm	80mm	
500 kPa	815102	815112	815122	815132	815142	
600 kPa	815103	815113	815123	815133	815143	
700 kPa	815104	815114	815124	815134	815144	
800 kPa	815105	815115	815125	815135	815145	
900 kPa	815106	815116	815126	815136	815146	
1000 kPa	815107	815117	815127	815137	815147	
1100 kPa	815108	815118	815128	815138	815148	
1200 kPa	815109	815119	815129	815139	815149	
1300 kPa	815110	815120	815130	815140	815150	
1400 kPa	815111	815121	815131	815141	815151	

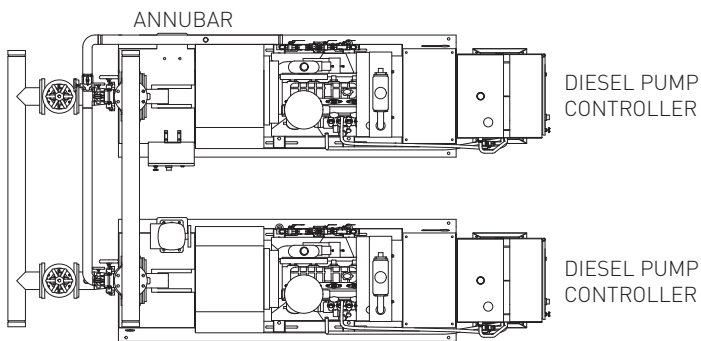
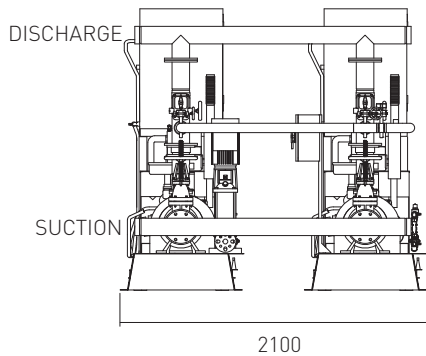
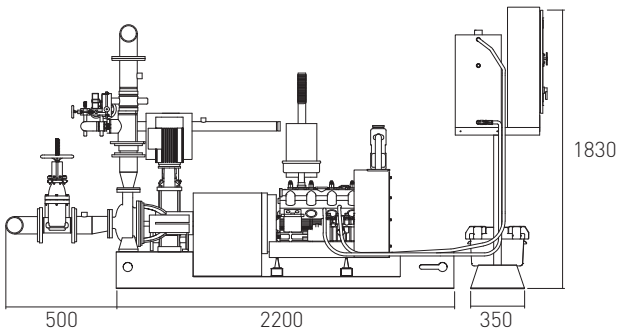
#### NOTES

1. Systems can be customised to suit any application
2. Single Fire Pump cannot be used on applications that are utilising tank water





## DIMENSIONS



NOTE  
1. All dimensions are in mm and are approximate

## ADDITIONAL OPTIONS

PRODUCT	DESCRIPTION
	ANTI-TAMPER / WEATHER ENCLOSURE Ideal when pumps are to be housed externally to the building
	FLOW BYPASS VALVES & PIPEWORK Booster flow pump bypass incorporated into the system
	PRESSURE RELIEF VALVE To protect from over-pressurisation
	VARIABLE SPEED CONTROL To protect from over-pressurisation
	TEST WATER STORAGE TANKS For collection of test water for reclaim
	SIGHT INFLOW INDICATOR For pressure relieve valves when waste is not visible
	ENGINE HEATER Assisting cold starting for added cold start reliability
	INLET VALVE MONITOR For sprinkler systems or where specified
	DUAL PRESSURE SWITCH ASSEMBLY For sprinkler systems or where specified

