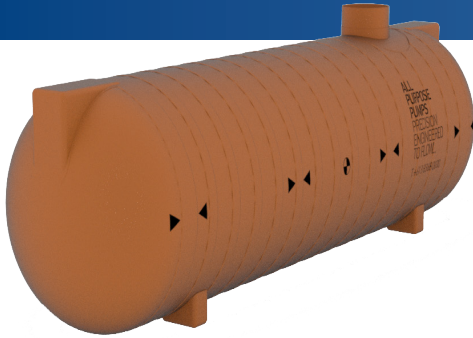


PACKAGE PUMP STATIONS HORIZONTAL FRP



FEATURES

Horizontal FRP (Fibreglass) pump stations are used when water or wastewater storage and retention is required. Designed for compliance with Australian Standards. The glass filament wound structure provides a one piece pit for a fast, safe, easy and guaranteed installation.

FRP PIT DESIGN AND CONSTRUCTION STANDARDS:

- > AS2634:1983 Chemical Plant equipment made from GRP.
- > ASME RTP-1 Reinforced Thermoset Plastic corrosion-Resistant Equipment (design methodology adopted where the scope falls outside of AS2634:1983).
- > AS/NZS 1546.1 soil loading design requirements.

- > Multiple Inlet/Outlet pipework penetration - Faces allow easy field connections
- > Stabilizing Feet

FRP PIT DESIGN LIFE AND WARRANTY:

- > Design life 50 years / Warranty 5 years

TANK DESIGN

- > Adjustable riser for burial depth up to 1900mm
- > Single tank installation
- > Multiple interconnected tanks for larger capacity
- > 600 x 600 square access (cover not included)



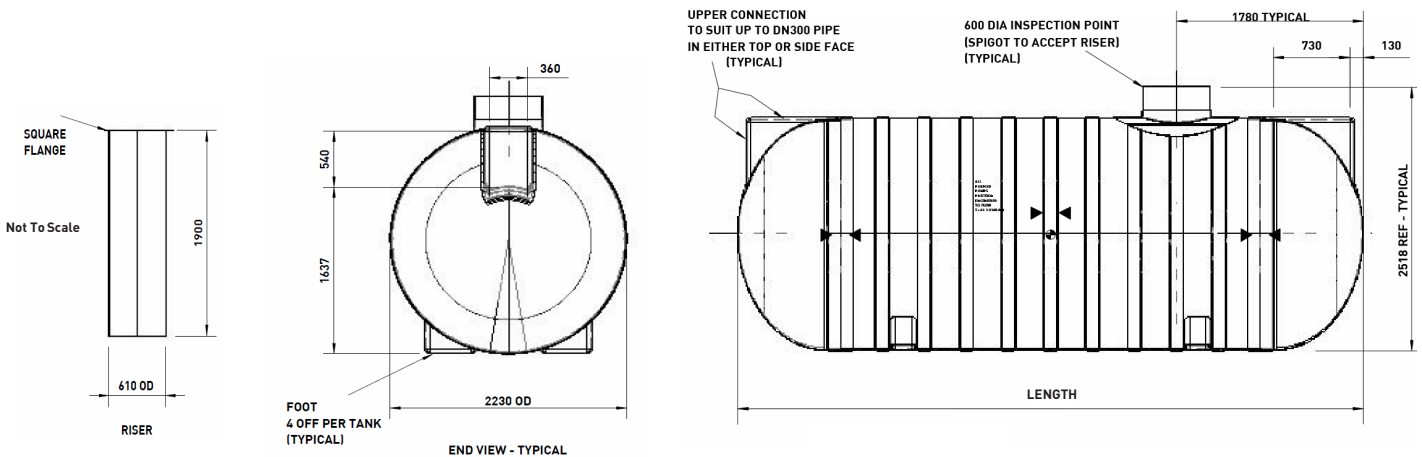
30 YEARS INDUSTRY EXPERIENCE

RANGE

	DIAMETER	LENGTH	VOLUME	WEIGHT
HORIZONTAL	2.2m	4m	12,500L	1,050Kg
	2.2m	6m	20,000L	1,400Kg
	2.2m	8m	27,600L	1,800Kg
	2.2m	10m	35,200L	2,200Kg
	2.2m	12m	42,800L	2,700Kg

	DIAMETER	LENGTH	VOLUME	WEIGHT
HORIZONTAL	1.2m	1.5-18m	var.	var.
	1.5m	1.5-18m	var.	var.
	1.8m	1.5-18m	var.	var.
	3.5m	1.5-18m	var.	var.
	4.0m	1.5-18m	var.	var.

TYPICAL ARRANGEMENT FOR 2.2 DIA TANKS



ADDITIONAL OPTIONS

ANCHOR KIT	COVERS	SAFETY GRATES	SUBMERSIBLE PUMPS	CONTROLLERS	LEVEL SENSORS