

COMPONENTS

PUMP MONITOR PANEL

FEATURES

The All Purpose Pumps Monitor Panel is a simple, yet effective device. Designed to provide effective protection for an Automatic pump motor and also provides a high water level alarm as well as a common visual warning indication.

- > All equipment mounted within an IP56 polycarbonate weather resistant enclosure.
- > Mains power supply circuit breaker protection switch.
- > Safety 24 volt low voltage control circuit.
- > Pump motor latching thermal overload protection with manual reset.
- > Visual external common alarm flashing strobe light for:
 - > pump fault
 - > high level fault

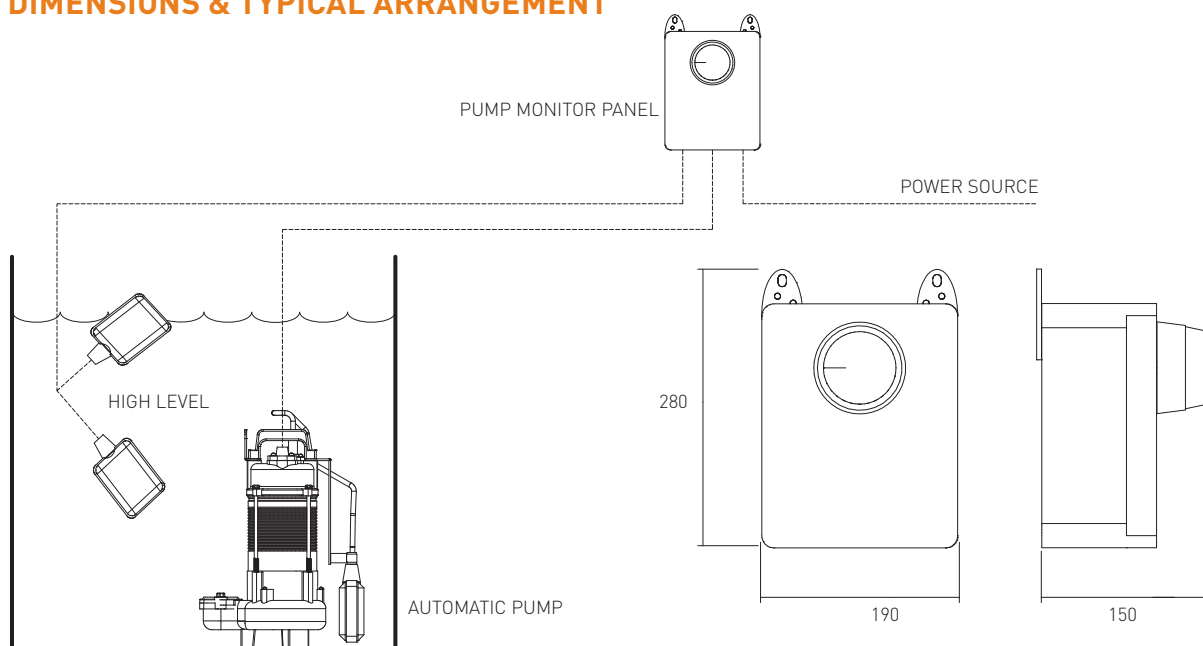


25 YEARS INDUSTRY EXPERIENCE

RANGE

	DESCRIPTION	PRODUCT CODE
240V	Monitor Panel 240V, 2.5 - 4.0A	520015
	Monitor Panel 240V, 4.0 - 6.3A	520016
	Monitor Panel 240V, 5.5 - 8.0A	520017
	Monitor Panel 240V, 7.0 - 10A	520018
415V	Monitor Panel 415V, 1.6 - 2.5A	520019
	Monitor Panel 415V, 2.5 - 4.0A	520020
	Monitor Panel 415V, 4.0 - 6.3A	520021
	Monitor Panel 415V, 5.5 - 8.0A	520022
	Monitor Panel 415V, 7.0 - 10A	520023

DIMENSIONS & TYPICAL ARRANGEMENT



NOTES

1. Dimensions are in mm and are approximate

