

RAINWATER RE-USE SYSTEMS COMMERCIAL - 0.5 LITRE PER SECOND



FEATURES

The all new packaged Rain Water Reuse Pressure Pump Systems are ideal for commercial, urban and domestic applications.

BASEPLATE:

- > Easy to install, compact baseplate design, suitable for floor or wall mounting
- > Constructed from galvanised steel
- > Fibreglass anti-tamper / weather cover available as an option

PUMP:

- > Horizontal multistage centrifugal pump design.
- > TEFC electric motor.
- > Stainless steel housing, impeller and shaft construction.
- > Single spring mechanical shaft seal with carbon/ceramic rotating seal faces

MANIFOLD:

- > 25mm pump discharge manifold
- > Pump isolation and non-return valves
- > Electronic pump controller with dry-run cut-out protection.
- > Mains water back-up solenoid control valve
- > Mains water back-flow protection dual check valve
- > Pressure accumulator controller tank






RAINS MAINS CONTROLLER:

- > Standard - used for all 240v pumps up to 8amps
- > Premium - Used for all 415v & 240v pumps above 8amps



30 YEARS INDUSTRY EXPERIENCE

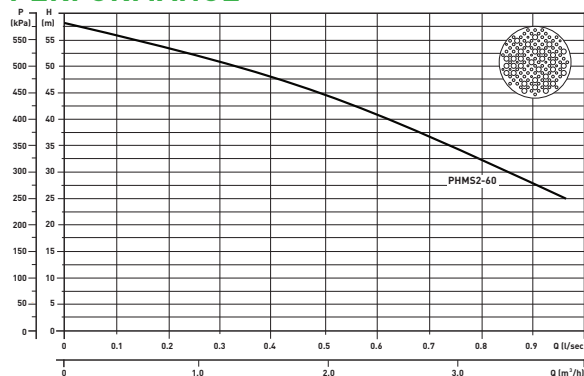
RANGE

STANDARD SYSTEM	COMPONENT CHOICES	PUMP MODEL	V / kW CURRENT
	+ SCREEN FILTER (MANUAL)		240V / 0.75kW 4.8A
	+ SCREEN FILTER (AUTO)		855010
	+ SCREEN FILTER (MANUAL) CARTRIDGE FILTER & UV		855011
	+ SCREEN FILTER (AUTO) CARTRIDGE FILTER & UV		855012
			855013
			PRODUCT CODES


NOTE

1. Systems can be customised to suit any application

PERFORMANCE



ADDED COMPONENTS

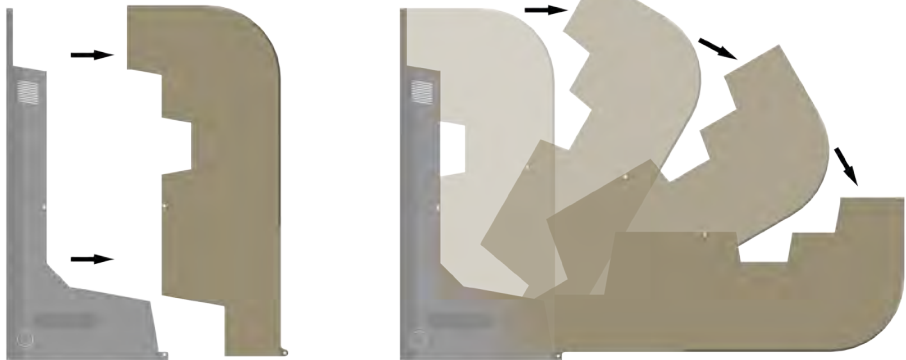
SCREEN FILTER (MANUAL)	SCREEN FILTER (AUTOMATIC)	FINE FILTRATION & UV
		





UNIQUE COVER DESIGN

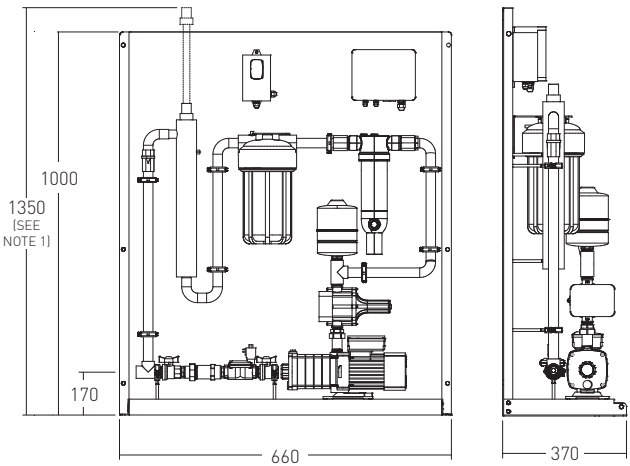
Full cover removal or hinged access



NOTES

- 1. Cover is optional
- 2. Standard Colorbond® Paperbark colour. Full Colorbond® colour range is available as a special order

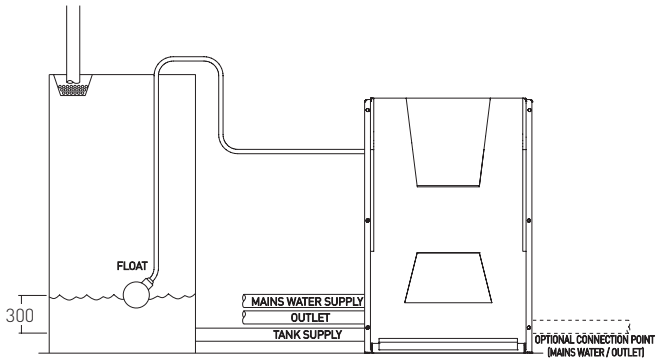
DIMENSIONAL DRAWING



NOTES

- 1. For systems with UV Filtration allow stated clearance for maintenance
- 2. All dimensions are in mm and are approximate

TYPICAL ARRANGEMENT



ADDITIONAL OPTIONS

MEDIUM & HIGH HAZARD BACK FLOW PROTECTION	CONSTANT PRESSURE VSD CONTROLLER	DUAL PUMPS	ANTI-TAMPER / WEATHER COVER	SUCTION STRAINER	WATER CHECK METER

