

TRADEWASTE SILT PIT

FEATURES

All Purpose Pumps Silt and trash arrestors allow for contaminated water to flow with the removal of solids and suspended sediment. Removable trash baskets allow for easy cleaning and effective removal of large contaminants

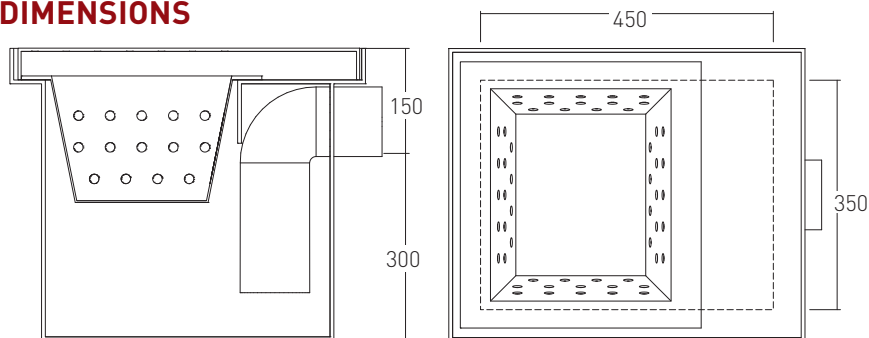
RANGE

BELOW GROUND		
PRODUCT CODE	CAPACITY	OUTLET
860048	50L	100mm Spigot



30 YEARS INDUSTRY EXPERIENCE

DIMENSIONS



NOTES

1. Silt pits can be made to any size
2. Cover options available
3. All Dimensions are in mm and are approximate

