



FIRE PUMP SYSTEMS

SINGLE DIESEL FIRE PUMP

FEATURES

The All Purpose Pumps Single Diesel fire booster pump set compliant with AS2941. This package is most commonly used in buildings under 25m high on an inline boost set up without access to a back up power supply. Built and assembled on a common heavy duty steel skid base.

PUMP:

- > End suction centrifugal pump
- > Cast iron / bronze / stainless construction
- > Back pull-out construction
- > Mechanical seal

DIESEL ENGINE:

- > Anti-vibration engine mounts
- > Heat exchanger cooled
- > Exhaust outlet complete with condensate trap and muffler
- > 6 hour storage capacity fuel tank

JOCKEY PUMP:

- > In-line vertical multistage pump for optimum efficiency, quiet operation and Maintenance In Place capabilities
- > Valves and pipework
- > Accumulator tank

PUMP INLET AND OUTLET PIPEWORK:

- > Galvanised steel with roll grooved connections
- > Pump inlet FM/UL approved OS&Y rising spindle isolation sluice valves
- > Pump inlet and outlet non-return valve and gear box operated isolation valves with valve monitors
- > Annubar flow test point outlet with gear box operated isolation valves
- > Hydraulically operated circulation and pressure relief valve

CONTROLS:

- > Manufactured in accordance with the relevant standards: AS2941



30 YEARS INDUSTRY EXPERIENCE

RANGE	5 l/s	10 l/s	15 l/s	20 l/s	30 l/s	Pipework Annubar
	100mm	100mm	100mm	100mm	150mm	
	50mm	50mm	65mm	80mm	80mm	
500 kPa	815000	815010	815020	815030	815040	
600 kPa	815001	815011	815021	815031	815041	
700 kPa	815002	815012	815022	815032	815042	
800 kPa	815003	815013	815023	815033	815043	
900 kPa	815004	815014	815024	815034	815044	
1000 kPa	815005	815015	815025	815035	815045	
1100 kPa	815006	815016	815026	815036	815046	
1200 kPa	815007	815017	815027	815037	815047	
1300 kPa	815008	815018	815028	815038	815048	
1400 kPa	815009	815019	815029	815039	815049	

NOTES

1. Systems can be customised to suit any application
2. Single Fire Pump cannot be used on applications that are utilising tank water

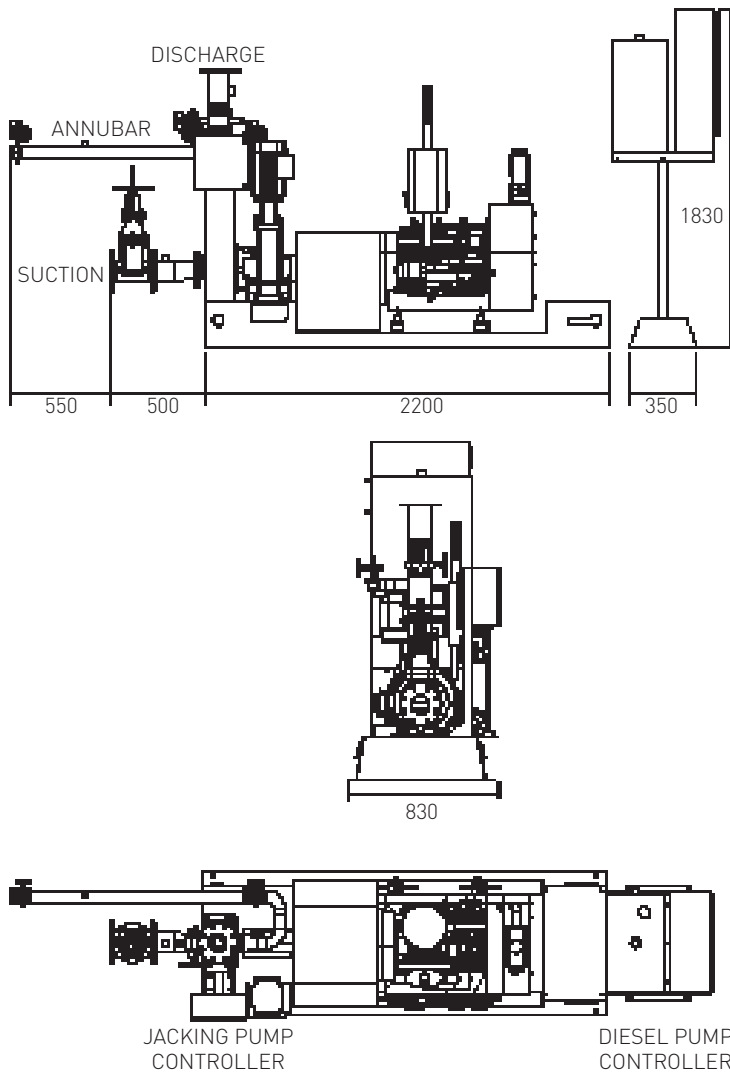


FIRE PUMP SYSTEMS

SINGLE DIESEL FIRE PUMP



DIMENSIONS



NOTE
1. All dimensions are in mm and are approximate

ADDITIONAL OPTIONS

PRODUCT	DESCRIPTION
	ANTI-TAMPER / WEATHER ENCLOSURE Ideal when pumps are to be housed externally to the building
	FLOW BYPASS VALVES & PIPEWORK Booster flow pump bypass incorporated into the system
	PRESSURE RELIEF VALVE To protect from over-pressurisation
	VARIABLE SPEED CONTROL To protect from over-pressurisation
	TEST WATER STORAGE TANKS For collection of test water for reclaim
	SIGHT INFLOW INDICATOR For pressure relieve valves when waste is not visible
	ENGINE HEATER Assisting cold starting for added cold start reliability
	INLET VALVE MONITOR For sprinkler systems or where specified
	DUAL PRESSURE SWITCH ASSEMBLY For sprinkler systems or where specified

