



# FIRE PUMP SYSTEMS

## SINGLE ELECTRIC FIRE PUMP

### FEATURES

The All Purpose Pumps Single Electric fire booster pump set compliant with AS2941. This package is most commonly used in buildings under 25m high where there is a back up power supply source available. Built and assembled on a common heavy duty steel skid base.

#### PUMP:

- > End suction centrifugal pump
- > Cast iron / bronze / stainless construction
- > Back pull-out construction
- > Mechanical seal

#### ELECTRIC MOTOR

- > TEFC IEC cast iron frame electric motor
- > Flexible element spacer shaft pump drive coupling.
- > Protective coupling guard.

#### JOCKEY PUMP:

- > In-line vertical multistage pump for optimum efficiently, quiet operation and Maintenance In Place capabilities
- > Valves and pipework
- > Accumulator tank

#### PUMP INLET AND OUTLET PIPEWORK:

- > Galvanised steel with roll grooved connections
- > Pump inlet FM/UL approved OS&Y rising spindle isolation sluice valves
- > Pump inlet and outlet non-return valve and gear box operated isolation valves with valve monitors
- > Annubar flow test point outlet with gear box operated isolation valves.
- > Hydraulically operated circulation and pressure relief valve

#### CONTROLS:

- > Manufactured in accordance with the relevant standards: AS2941



**30 YEARS INDUSTRY EXPERIENCE**

### RANGE

	5 l/s	10 l/s	15 l/s	20 l/s	30 l/s	
	100mm	100mm	100mm	100mm	150mm	Pipework
	50mm	50mm	65mm	80mm	80mm	Annubar
500 kPa	815051	815061	815071	815081	815091	
600 kPa	815052	815062	815072	815082	815092	
700 kPa	815053	815063	815073	815083	815093	
800 kPa	815054	815064	815074	815084	815094	
900 kPa	815055	815065	815075	815085	815095	
1000 kPa	815056	815066	815076	815086	815096	
1100 kPa	815057	815067	815077	815087	815097	
1200 kPa	815058	815068	815078	815088	815098	
1300 kPa	815059	815069	815079	815089	815099	
1400 kPa	815060	815070	815080	815090	815100	

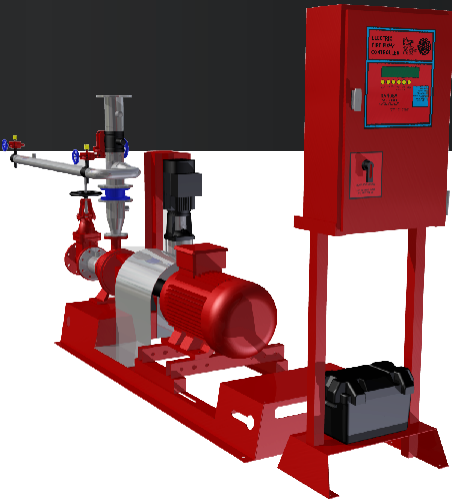
#### NOTES

1. Systems can be customised to suit any application
2. Single Fire Pump cannot be used on applications that are utilising tank water

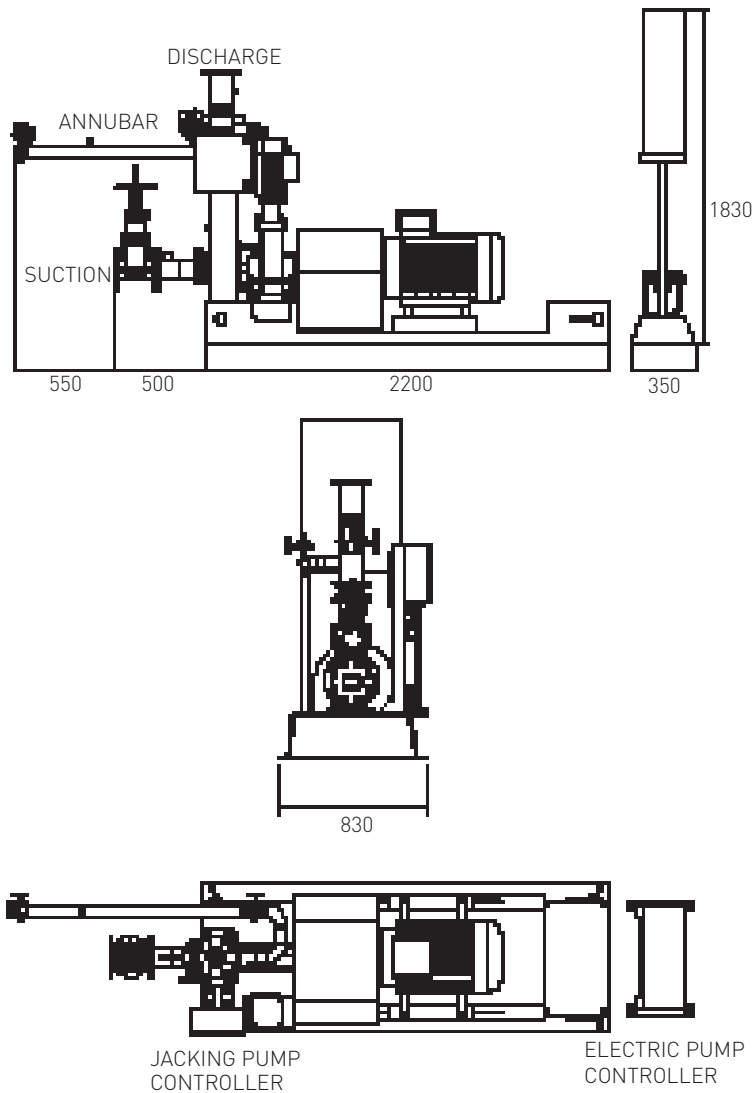


# FIRE PUMP SYSTEMS

## SINGLE ELECTRIC FIRE PUMP



### DIMENSIONS



### ADDITIONAL OPTIONS

PRODUCT	DESCRIPTION
	ANTI-TAMPER / WEATHER ENCLOSURE Ideal when pumps are to be housed externally to the building
	FLOW BYPASS VALVES & PIPEWORK Booster flow pump bypass incorporated into the system
	PRESSURE RELIEF VALVE To protect from over-pressurisation
	VARIABLE SPEED CONTROL To protect from over-pressurisation
	TEST WATER STORAGE TANKS For collection of test water for reclaim
	SIGHT INFLOW INDICATOR For pressure relieve valves when waste is not visible
	ENGINE HEATER Assisting cold starting for added cold start reliability
	INLET VALVE MONITOR For sprinkler systems or where specified
	DUAL PRESSURE SWITCH ASSEMBLY For sprinkler systems or where specified

NOTE  
1. All dimensions are in mm and are approximate

