

# COMPONENTS

## LEVEL FLOATS SUPER COMPACT



### FEATURES

The super compact differential switch is activated by air for reliable operation for applications with very limited float room.

- > 240v AC max voltage
- > IP68 at 6m protection
- > Tank empty function (switch contacts: N.O.)
- > 75mm differential between on & off level (fixed)
- > Piggy back 10Amp plug adapter fitted



25 YEARS INDUSTRY EXPERIENCE

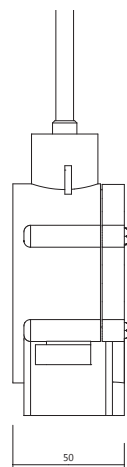
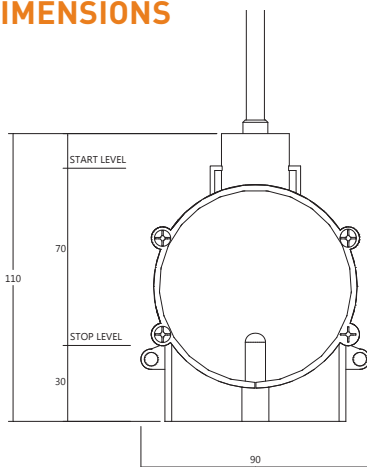
### RANGE

CABLE LENGTH	PRODUCT CODE	MAX POWER (Amps)	
		START	RUN
5.4m	540038	12	6
7.5m	540039	12	6

#### NOTE

1. For longer cable lengths requirements use electrical connection - Method B

### DIMENSIONS



### TYPICAL ARRANGEMENT

Method: Secure to pipe using cable ties



#### NOTE

1. Be sure cable is not kinked as this will result in malfunction of the switch

### CONNECTION METHOD

#### Electrical Connection - Method A

Piggy back adapter connection (comes standard with float)



#### Electrical Connection - Method B

Hard Wired in J/box or controller

