



HYFLOW® SUBMERSIBLE AUTO COUPLINGS

FEATURES

HYFLOW® discharge connectors are designed to suit the HYFLOW® range of pumps within all pump stations.

Require no fixings and automatically locate the pump on the discharge pipework whilst creating a safer way to raise and lower pumps.

- > Heavy duty cast iron pedestal

- > HYFLOW® pump discharge auto coupling class adapter
- > Top mount guide rail locator
- > Stainless steel fasteners

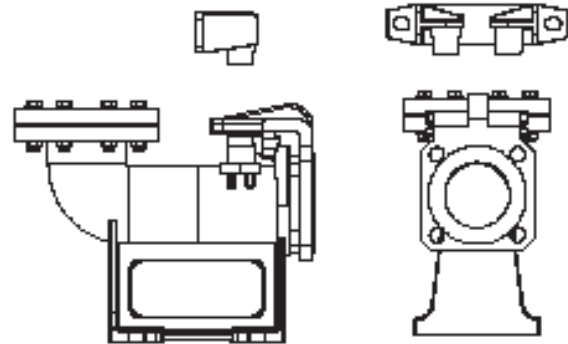


30 YEARS INDUSTRY EXPERIENCE

RANGE

MODEL NUMBER	PRODUCT CODE	OUTLET	GUIDE RAIL SIZE
HAC50.CL	190130	50mm	3/4"
HAC50.SH	190132	50mm	1"
HAC80.SL	190133	80mm	1 1/4"
HAC80.SH	190134	80mm	1 1/4"
HAC100.SH	190135	100mm	2"
HAC150.SH	190136	150mm	2"
HAC200.SH	*	200mm	2"
HAC250.SH	*	250mm	2 1/2"
HAC350.SH	*	350mm	4"
HAC400.SH	*	400mm	4"
HACS50.CL	190137	50mm	3/4"
HACS80.SH	190138	80mm	2"

TYPICAL ARRANGEMENT



NOTES

1. All dimensions are in mm and are approximate
2. *Available on request

