



HYFLOW® SUBMERSIBLE ELBOW KITS

FEATURES

HYFLOW® discharge connectors are designed to suit the HYFLOW® range of pumps within all pump stations.

- > Consist of a 90° bend and BSPF flanged connection
- > Heavy duty cast iron construction
- > Stainless steel fasteners

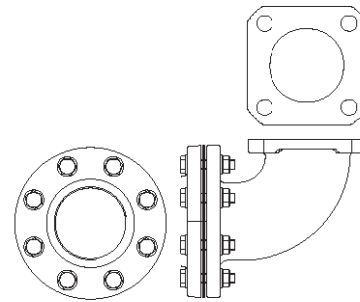


30 YEARS INDUSTRY EXPERIENCE

RANGE

MODEL NUMBER	PRODUCT CODE	OUTLET
HEK50.H	190140	50mm
HEK80.L	190141	80mm
HEK100.H	190143	100mm
HEKS80.H	190148	80mm

TYPICAL ARRANGEMENT



NOTE

1. All dimensions are in mm and are approximate

