



HYFLOW® SUBMERSIBLE AUTO COUPLINGS, ELBOW KITS & SPARE PARTS

FEATURES

HYFLOW® discharge connectors are designed to suit the HYFLOW® range of pumps within all pump stations.

- Require no fixings and automatically locate the pump on the discharge pipework whilst creating a safer way to raise and lower pumps.
- > Heavy duty cast iron pedestal

- > HYFLOW® pump discharge auto coupling class adapter
- > Top mount guide rail locator
- > Stainless steel fasteners

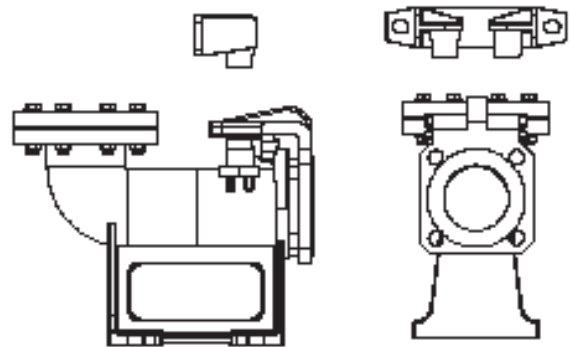


30 YEARS INDUSTRY EXPERIENCE

RANGE

MODEL NUMBER	PRODUCT CODE	OUTLET	GUIDE RAIL SIZE
HAC50.CL	1901302	50mm	3/4"
HAC50.SH	1900009	50mm	1"
HAC80.SL	1900011	80mm	1 1/4"
HAC80.SH	1900010	80mm	1 1/4"
HAC100.SH	1900031	100mm	2"
HAC150.SH	1900007	150mm	2"
HAC200.SH	*	200mm	2"
HAC250.SH	*	250mm	2 1/2"
HAC350.SH	*	350mm	4"
HAC400.SH	*	400mm	4"
HACS50.CL	1900012	50mm	3/4"
HACS80.SH	1900013	80mm	2"

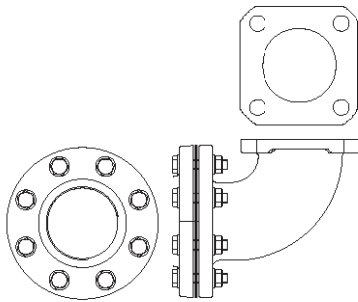
TYPICAL ARRANGEMENT



NOTES

1. All dimensions are in mm and are approximate
2. *Available on request

ELBOW KITS - TYPICAL ARRANGEMENT



- > Consist of a 90° bend and BSPF flanged connection
- > Heavy duty cast iron construction
- > Stainless steel fasteners

RANGE

MODEL NUMBER	PRODUCT CODE	OUTLET
HEK50.H	1900017	50mm
HEK80.L	1900018	80mm
HEK100.H	1900015	100mm
HEKS80.H	1900019	80mm

NOTE

1. All dimensions are in mm and are approximate

HYFLOW- CLAW (ONLY) SPARE PART

DESCRIPTION	PRODUCT CODE	SUITS
50mm HYFLOW	3900016	HAC 50.CL
50mm HYFLOW	3900017	HAC 50.EH
50mm HYFLOW	3900018	HAC 50.SH
80mm HYFLOW	3900019	HAC 80.SL
100mm HYFLOW	3900015	HAC100.SH
150mm HYFLOW	*	HAC150.SH

HYFLOW SUBMERSIBLE CLAW ADAPTERS

DESCRIPTION	PRODUCT CODE	SUITS
50mm HYFLOW	3000013	FLYGT
80mm HYFLOW	3900013	FLYGT
100mm HYFLOW	3900001	FLYGT

